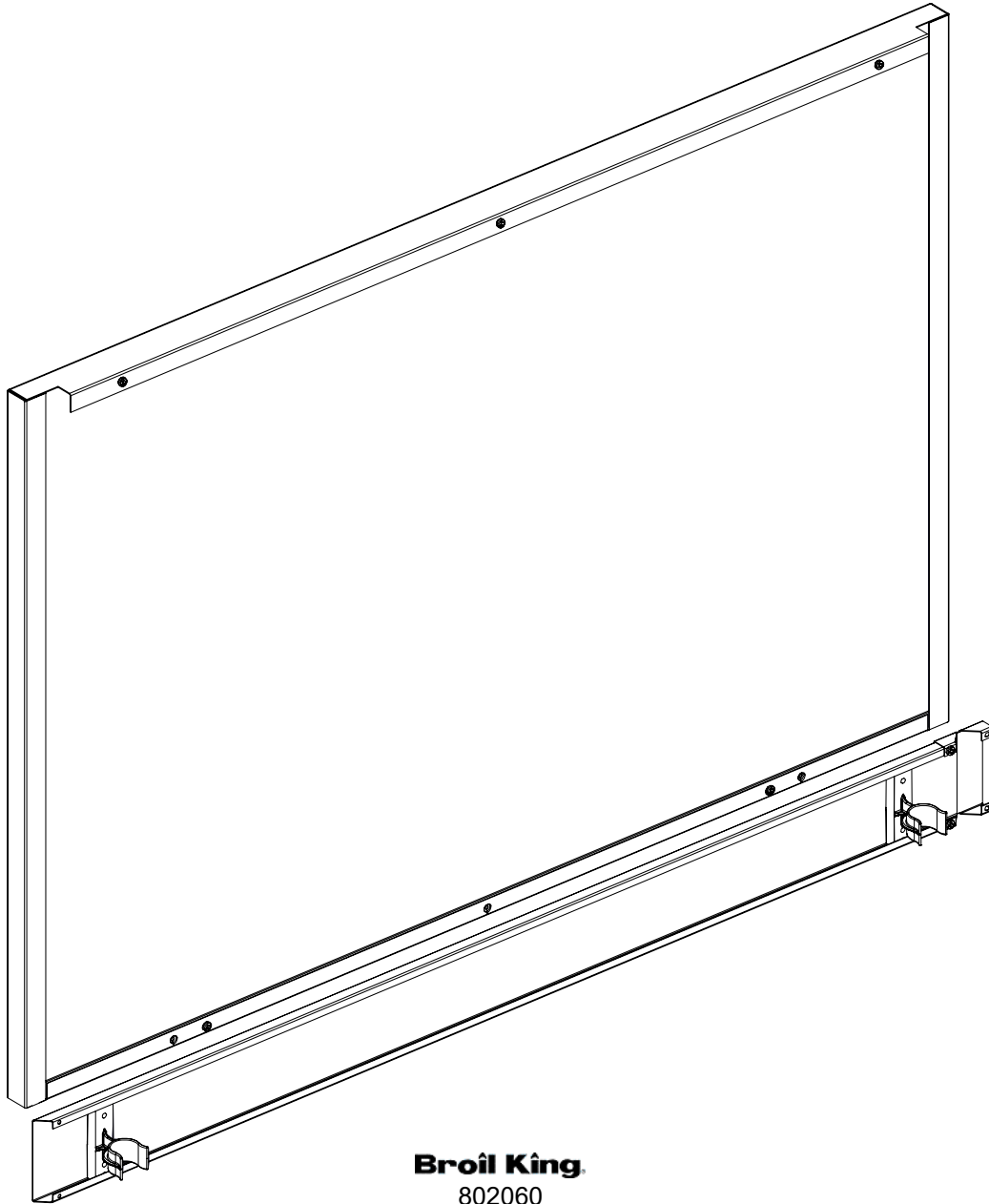


Broil King®

ASSEMBLY MANUAL & PARTS LIST - MANUEL DE MONTAGE & LISTE DE PIÈCES - MANUAL DE ARMADO Y LISTA DE PARTES



Broil King®

802060

804060

805060

806060

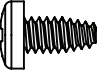
807060

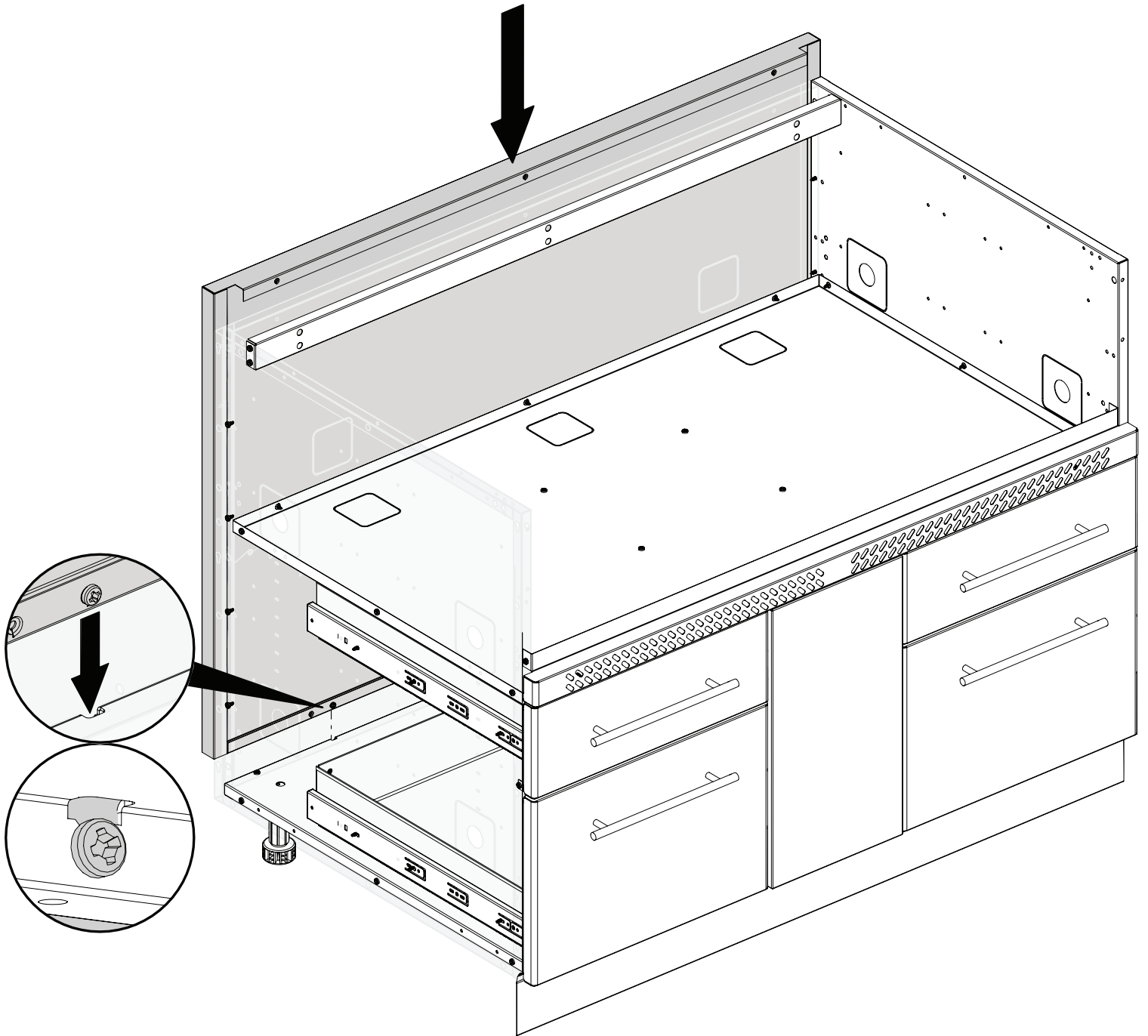
RETAIN FOR FUTURE REFERENCE - VEUILLEZ CONSERVER POUR REFERENCE ULTERIEURE - CONSERVER PARA FUTURAS CONSULTAS

Onward
SINCE 1906
MANUFACTURING COMPANY LIMITED
585 KUMPF DRIVE
WATERLOO, ONTARIO, CANADA
N2V 1K3


70084-E42 REV B 10/21

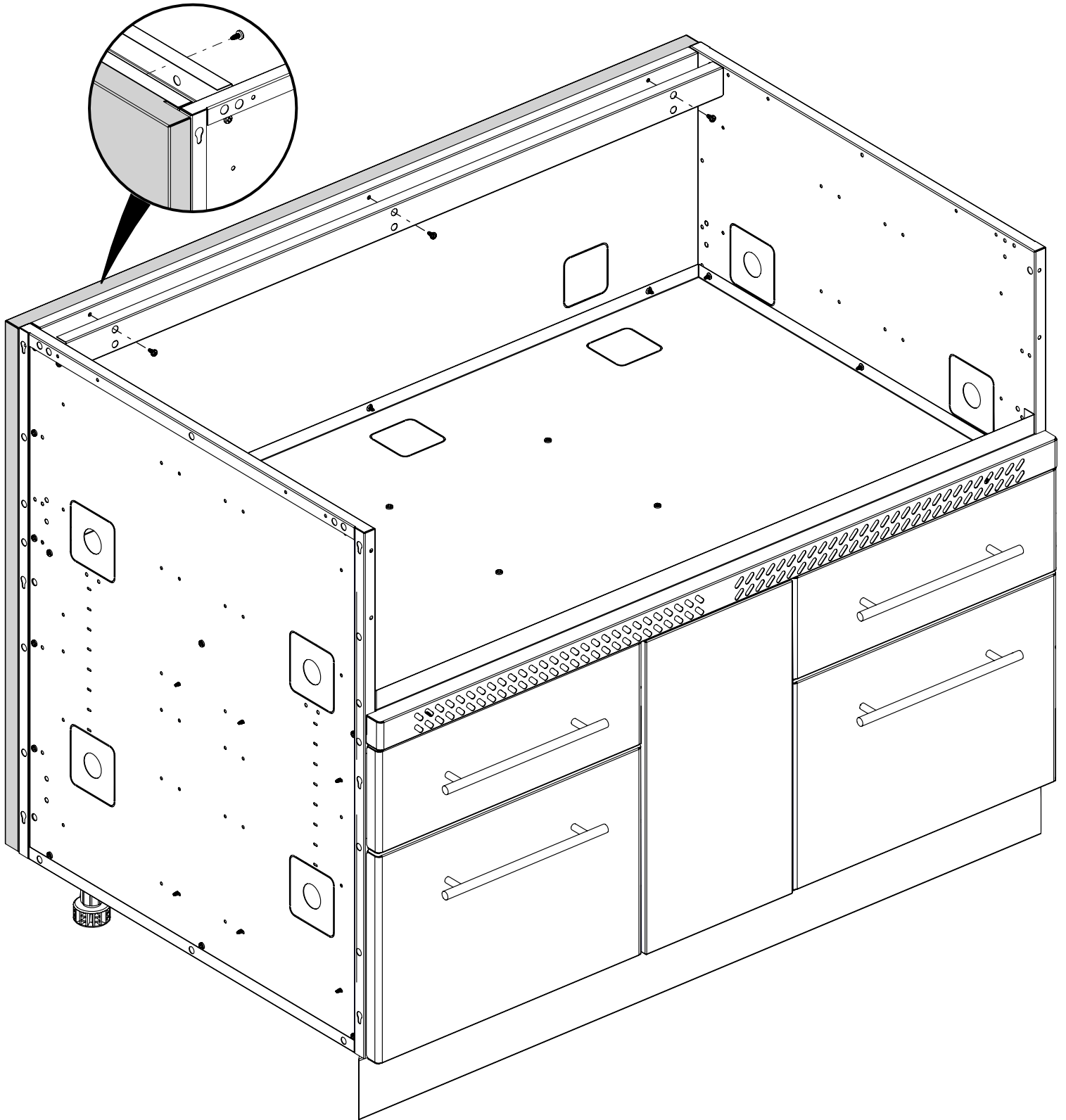
1

(3) 




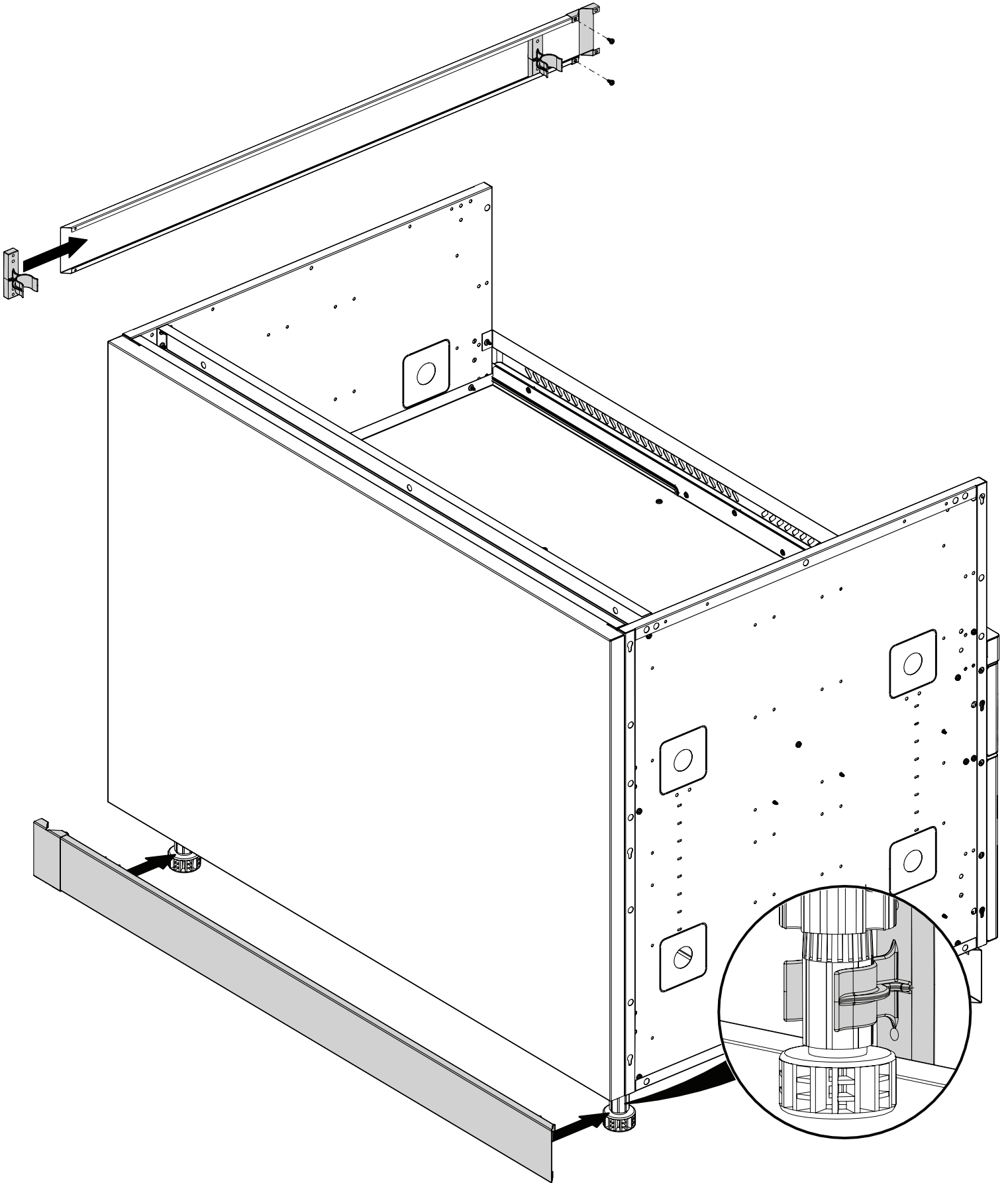
2

(2) 

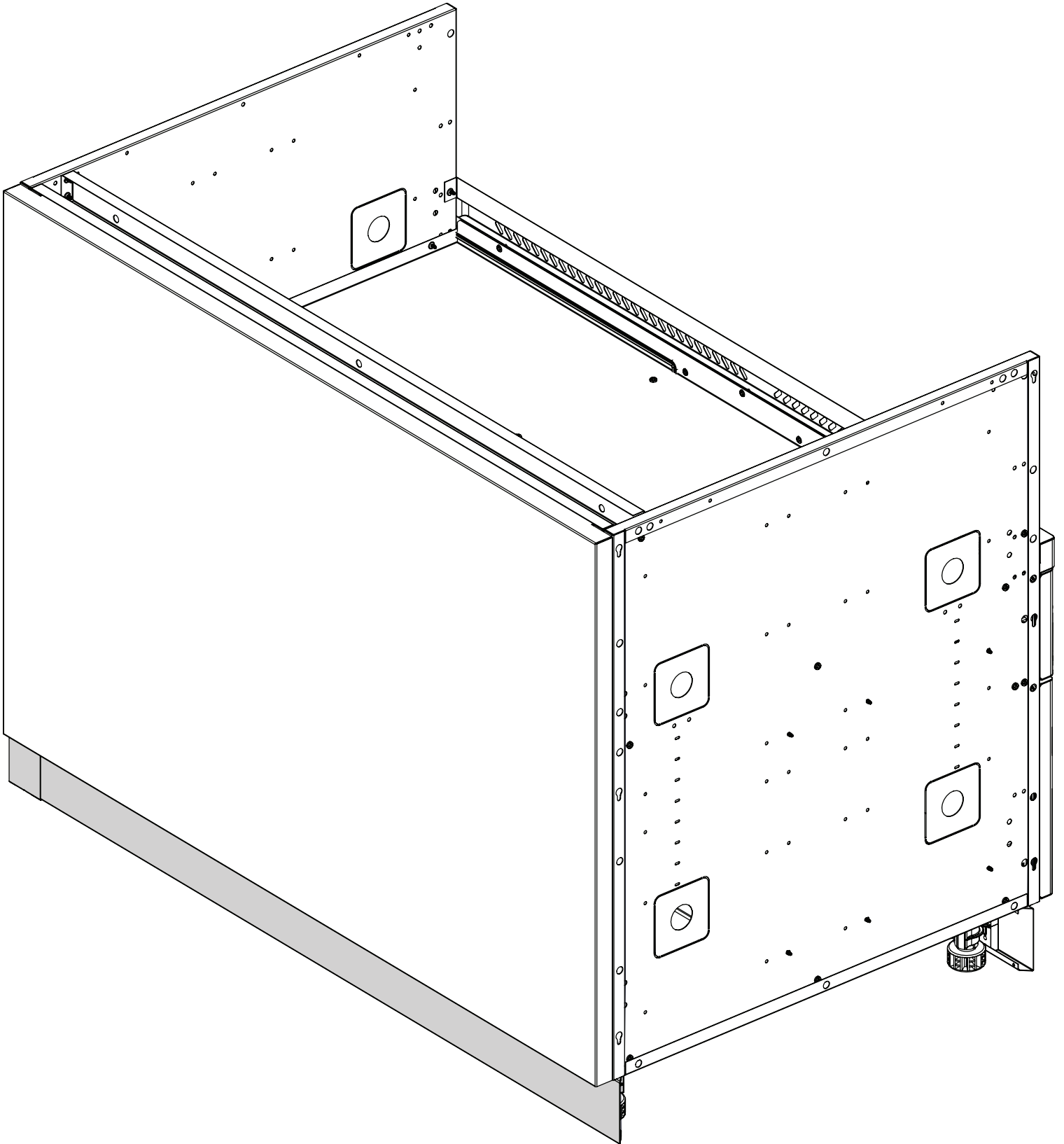


3

(2) 



4



PARTS LIST / LISTE DES PIECES / LISTA DE PARTES

<u>KEY #</u>	<u>ITEM #</u>	<u>DESCRIPTION</u>	<u>DESCRIPTION</u>	<u>DESCRIPTION</u>	<u>802060</u>	<u>804060</u>	<u>805060</u>	<u>806060</u>	<u>807060</u>
4	71381-103	REAR OUTER PANEL	PANNEAU - ARRIÈRE	PANEL - POSTERIOR	1
	71382-103	REAR OUTER PANEL	PANNEAU - ARRIÈRE	PANEL - POSTERIOR	.	1	.	.	.
	71385-103	REAR OUTER PANEL	PANNEAU - ARRIÈRE	PANEL - POSTERIOR	.	.	1	.	.
	71386-103	REAR OUTER PANEL	PANNEAU - ARRIÈRE	PANEL - POSTERIOR	.	.	.	1	.
	71388-103	REAR OUTER PANEL	PANNEAU - ARRIÈRE	PANEL - POSTERIOR	1
17	71039-108	KICK PLATE LEG CLIP	ATTACHE POUR COUP-DE-PIED	GRAPA PARA NIVELADOR	2	2	2	2	2
18	71503-003	KICK PLATE	PLAQUE COUP-DE-PIED	RODAPIÉS	1
	71505-003	KICK PLATE	PLAQUE COUP-DE-PIED	RODAPIÉS	.	.	1	.	.
	71506-003	KICK PLATE	PLAQUE COUP-DE-PIED	RODAPIÉS	.	.	.	1	.
	71508-003	KICK PLATE	PLAQUE COUP-DE-PIED	RODAPIÉS	1
	71509-003	KICK PLATE	PLAQUE COUP-DE-PIED	RODAPIÉS	.	1	.	.	.
19	71530-163	KICK PLATE BRACKET	SUPPORT POUR COUP-DE-PIED	BASE PARA GRAPA	1	1	1	1	1
32	Y-29304S	SCREW #10-24 X 3/8	VIS #10-24 X 3/8	TOURNILLO #10-24 X 3/8	6	6	7	7	7

